

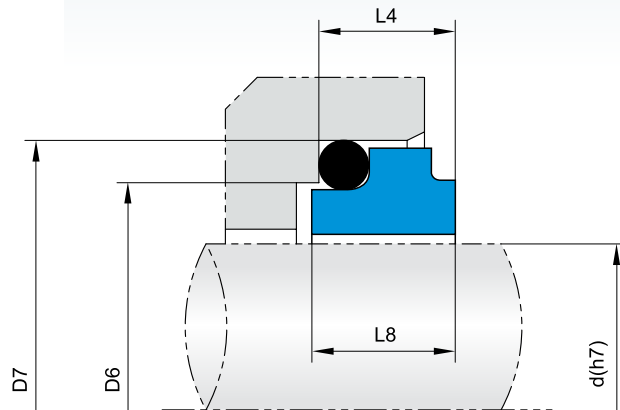
Stationary seat

TS SEALS C05



⊙ O-Ring Stationary seat σύμφωνα με EN12756

⊙ Υλικά κατασκευής
B, V1, Q1, Q2, U1, U2



Size Metric	d	D6	D7	L4	L8
10	10	17	21	7	8.5
12	12	19	23	7	8.5
14	14	21	25	7	8.5
16	16	23	27	7	8.5
18	18	27	33	10	12.0
20	20	29	35	10	12.0
22	22	31	37	10	12.0
24	24	33	39	10	12.0
25	25	34	40	10	12.0
28	28	37	43	10	12.0
30	30	39	45	10	12.0
32	32	42	48	10	11.5
33	33	42	48	10	11.5
35	35	44	50	10	11.5
38	38	49	56	13	15.0
40	40	51	58	13	15.0
43	43	54	61	13	14.5
45	45	56	63	13	14.5
48	48	59	66	13	15.0
50	50	62	70	14	16.0
53	53	65	73	14	16.0
55	55	67	75	14	16.0
58	58	70	78	14	16.0
60	60	72	80	14	16.0
63	63	75	83	14	16.0
65	65	77	85	14	16.0
68	68	81	90	16	18.0
70	70	83	92	16	18.0
75	75	88	97	16	18.0
80	80	95	105	18	20.0
85	85	100	110	18	20.0
90	90	105	115	18	20.0
95	95	110	120	18	20.0
100	100	115	125	18	20.0